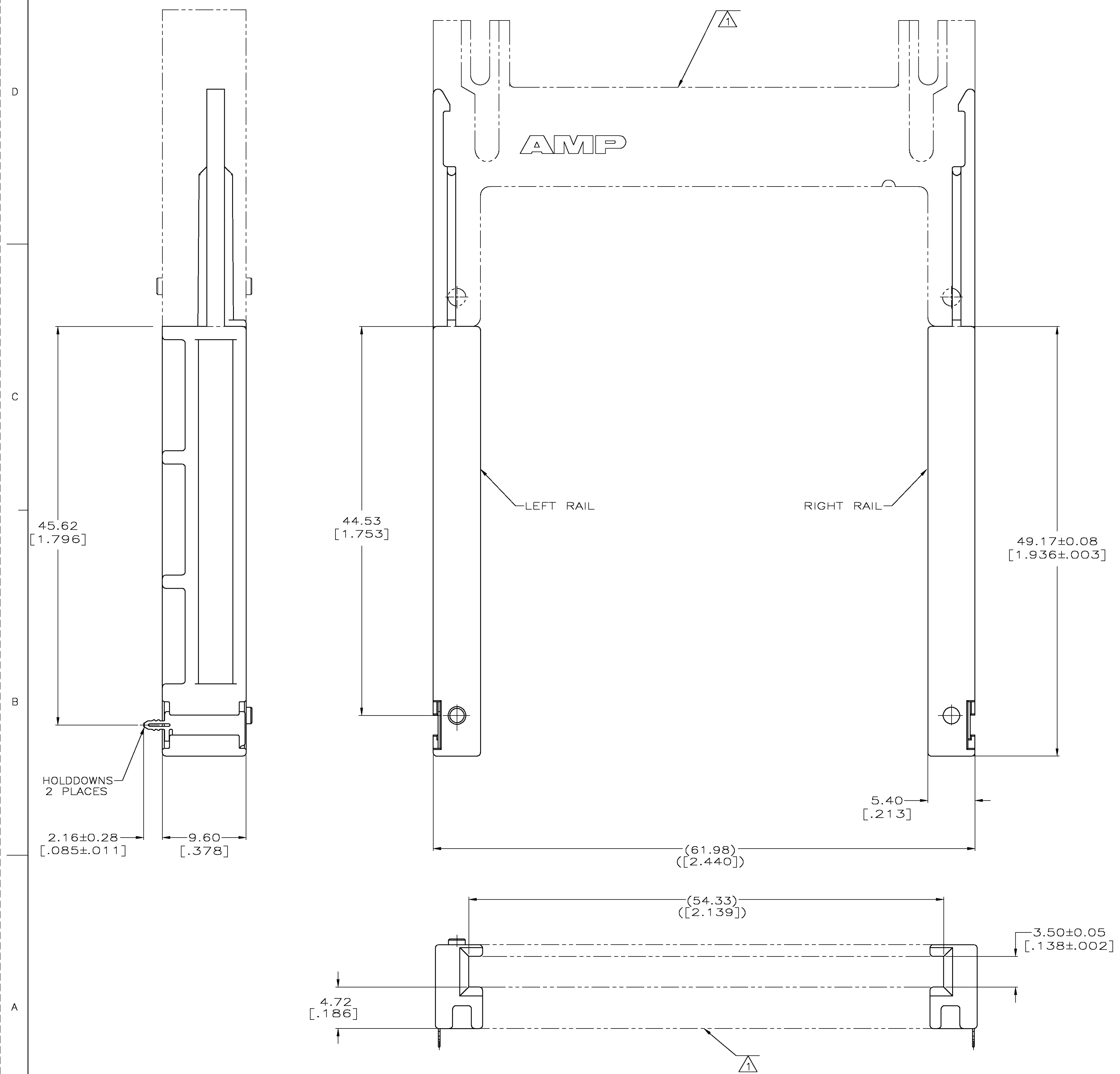
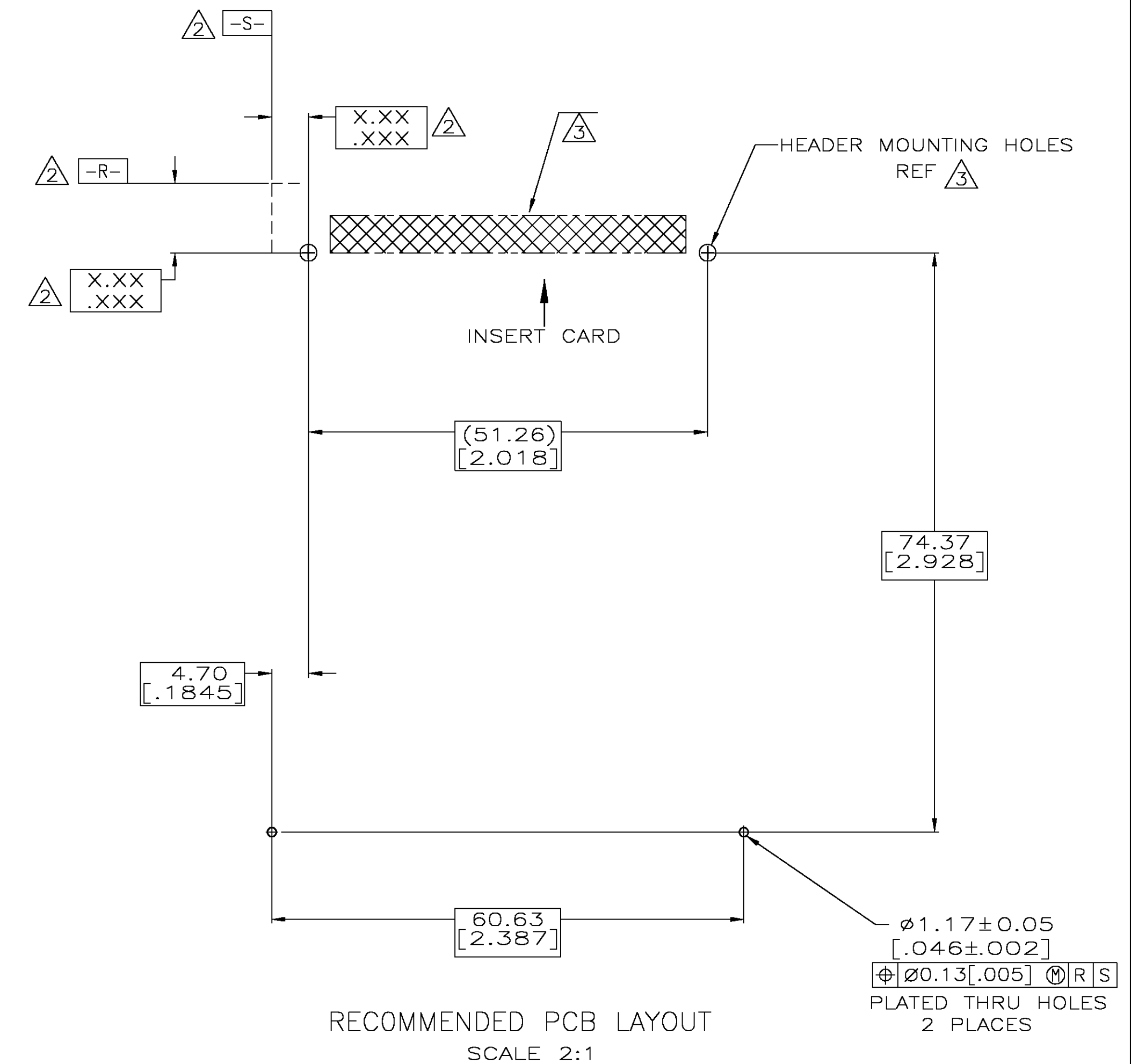


| LOC | | DIST | | REVISIONS | | | |
|-----|----|-------------------------|----------|-----------|------|--|--|
| P | LR | DESCRIPTION | DATE | DWN | APVD | | |
| 0 | | REL PER EC DS13-0031-05 | 03-30-05 | LV | JG | | |



- 1 SMT OR THRU-HOLE HEADER ASSY NOT SUPPLIED AND MUST BE ORDERED SEPERATELY. CONTACT AMP INCORPORATED FOR HEADER PART NUMBER
- 2 DATUMS AND BASIC DIMENSIONS ESTABLISHED BY CUSTOMER
- 3 FOR HEADER PC BOARD LAYOUT SEE APPROPRIATE HEADER ASSEMBLY
- 4 MATERIAL:
 RAIL: LCP - COLOR: BLACK
 HOLD DOWNS: PHOSPHOR BRONZE



| RIGHT GUIDE RAIL WITH HOLDDOWN | 5535661-2 |
|--------------------------------|-----------|
| LEFT GUIDE RAIL WITH HOLDDOWN | 5535661-1 |
| DESCRIPTION | PART NO |

| | | | | | |
|--|--|--------------------------------|--|--|--|
| THIS DRAWING IS A CONTROLLED DOCUMENT. | | DWN L. VARELA - DOCKS 03-30-05 | | Tyco Electronics Corporation | |
| DIMENSIONS: mm [INCHES] | | CHK D. GORENC 03-30-05 | | Harrisburg, PA 17105-3608 | |
| TOLERANCES UNLESS OTHERWISE SPECIFIED: | | APVD M. WALMSLEY 03-30-05 | | NAME | |
| 0 PLC ± | | PRODUCT SPEC | | GUIDE RAILS, RAISED, EXTENDED, WITH THRU-HOLE HOLDDOWNS, AMP MEMORY CARD | |
| 1 PLC ± | | APPLICATION SPEC | | SIZE CASE CODE DRAWING NO | |
| 2 PLC ± 0.13 [005] | | FINISH | | RESTRICTED TO | |
| 3 PLC ± | | HOLD DOWNS: TIN. | | WEIGHT 2.6 GRAMS A1 00779 C=5535661 | |
| 4 PLC ± | | CUSTOMER DRAWING | | SCALE 4:1 SHEET 1 OF 1 REV 0 | |

**COPYRIGHT 2005
 TYCO ELECTRONICS CORP
 ALL RIGHTS RESERVED**