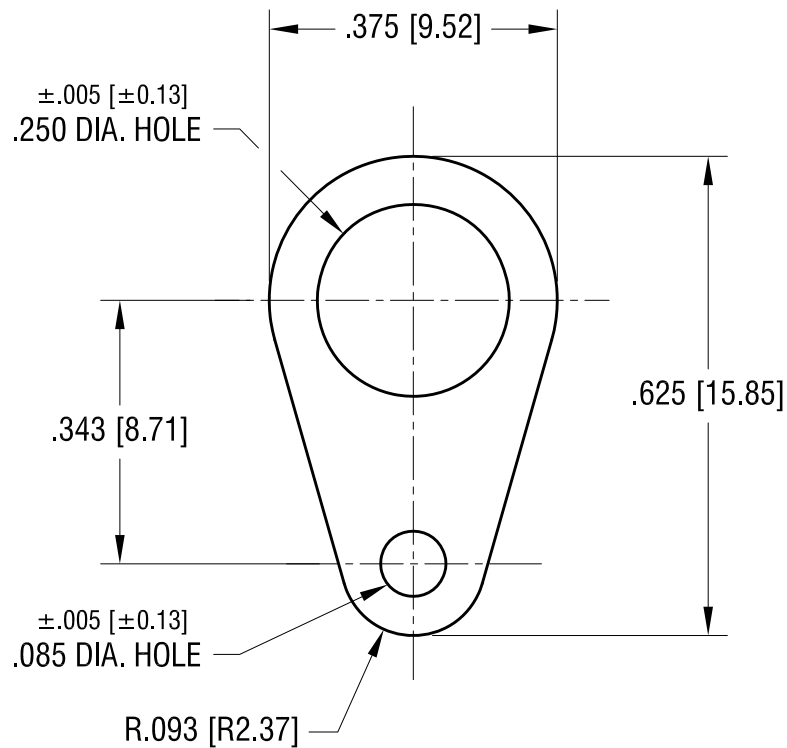


THIS DOCUMENT IS THE PROPERTY OF  
KEYSTONE ELECTRONICS CORP. AND  
SHALL NOT BE REPRODUCED, DISTRIBUTED  
OR USED AS A BASIS FOR MANUFACTURE  
WITHOUT PRIOR WRITTEN PERMISSION  
FROM KEYSTONE ELECTRONICS CORP.



### KEYSTONE ELECTRONICS CORP.

www.keyelco.com • ASTORIA, N.Y. 11105-2017 • Tel (718) 956-8900

PART NAME

SOLDER TERMINAL LUG

MATERIAL

.016 [0.40] TH'K COPPER

FINISH

TIN PLATE

DRN BY

BOONE

DATE

3.15.84

APP'D

LN

SCALE

4X

1.3.94 REDRAWN, ADDED TOLERANCES

A

TOLERANCES

INCH [MM]

CODE

DWG NO.

DECIMAL ±.015 [±0.38]

C

ANGULAR ± 1°  
UNLESS OTHERWISE SPECIFIED

4712

DATE

DESCRIPTION

REV.